

TANA[®]
WENZHOU TOPNOTCH MACHINE CO.,LTD.

Sizes:1/2"-2"
Class:150-2500

TANA[®]
WENZHOU TOPNOTCH MACHINE CO.,LTD.



FORGED STEEL
GATE VALVE

FORGED STEEL
GLOBE VALVE

FORGED STEEL
CHECK VALVE

WENZHOU TOPNOTCH MACHINE CO.,LTD.,

Add:Dongou Industrial zone,oubei town,yongjia,
wenzhou,zhejiang,china,325105
Tel:+86-577-67318591
Fax:+86-577-67328591
Mobile:+86-18906638592
E-mail:market@tanamachine.com
Website:www.tanamachine.com

WWW.TANAMACHINE.COM



Brief Introduction

Wenzhou Topnotch Machine Co.,Ltd., brand name TANA .established in the year 2003, located at China famous pump&valve TownOubei,Wenzhou. We'respecialized in producing and marketing all kinds of industrial valves,pump & actuators. Our corporate Vision is to be a pipeline control specialist by supply products and help our valued customers solve their problems with excellent sales & after-sales service, and also reasonable price.

Over the years, we already have expanded our operations with team of well experienced design,manufacturing and marketing engineers. We have 100 -150 employees,around 50 sets advantaged producing equipments,which ensure our production ability. Our products have been widely application in the gas, oil, refining, chemical, marine, power generation and pipeline transmission industries. And 80% of products are supplied to SoutheastAsia, the Middle East, North America, Europe and Africa, more than 30 oversea countries, we have accumulated good reputation from our clients.

Quality is at the heart of everything we do, through product development to manufacturing, supply and sale. We make products strictly according to International standards & clients' requirements, and have established quality control system to ensure us offer the high quality products.

"Keep the promise and offer the top-class products & service" is our principle, we believe that we can establish and maintain long term win-win cooperation through our mutual effort by reasonable price, good quality product and best service.

Welcome to contact us, thank you!





CONTENTS

01-03
GATE VALVES

04-08
GLOBE VALVES

09-13
CHECK VALVES

14
CRYOGENIC VALVES

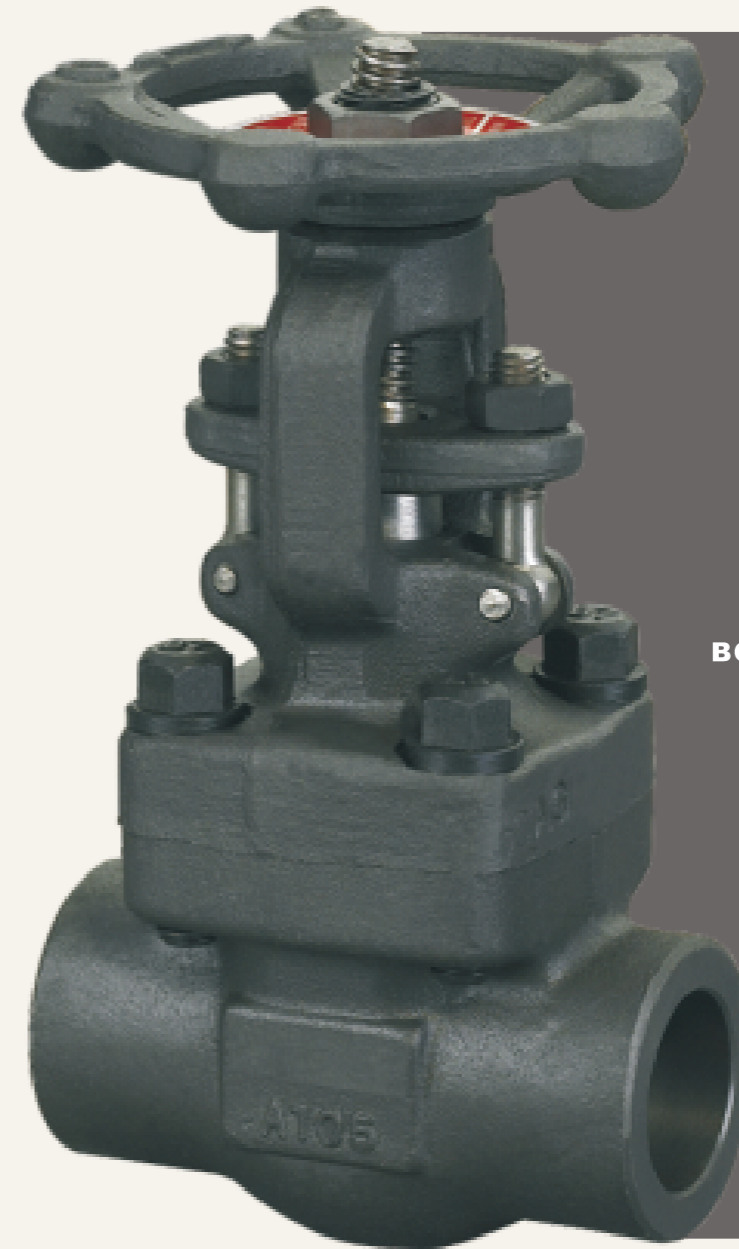
15-17
INTEGRAL FLANGED VALVES

18-19
BELLOWS SEALED VALVES

20
EXTENDED BODY VALVES

21-22
PRESSURE SEAL VALVES

23-37
TECHNICAL DATA



GATE VALVES
CLASS 800-1500
BOLTED BONNET - Full and reduced bore

GATE VALVES

Design construction:

API 602- BS 5352- NF M87.4 12
Testing according to API 598-BS 6755
Marking MSS SP25

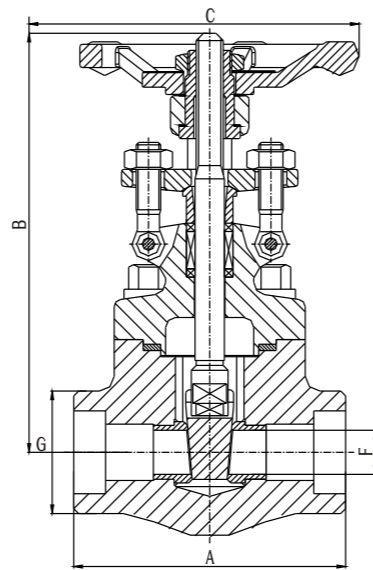
Outside Screw and Yoke (OS&Y)
Self aligning packing gland in two parts
Spiral-wound gasket retained type
Integral backseat

Socket weld Ends to ANSI B16.11
Screwed Ends (NPT) to ANSI B1.20.1
Butt Welding Ends to ANSI B.16.25

Ratings:

-carbon steel class 800 1975 psig @ 100°F
138 bar + 38°C
-carbon steel class 1500 3705 psig @ 100°F
255 bar + 38°C

For materials and testing pressure see technical data



CLASS 800LB

REDUCED BORE									FULL BORE						
SIZE	1/4"	3/8"	1/2"	3/4"	1"	1.1/4"	1.1/2"	2"	SIZE	1/2"	3/4"	1"	1.1/4"	1.1/2"	2"
A	79	79	79	92	111	120	120	140	A	92	111	120	120	140	160
B(OPEN)	149	149	153	153	185	222	240	279	B(OPEN)	153	185	222	240	279	333
C	100	100	100	100	120	160	160	180	C	100	120	160	160	180	200
F	8	10	13	13	18	29	29	36.5	F	13	18	24	29	36.8	48
G	34	34	34	40	49	64	64	78	G	40	49	58	64	78	82
WEIGHT(kg)	1.9	1.9	2.0	2.2	3.6	6.2	6.2	9.7	WEIGHT(kg)	3.3	3.8	5.8	6.7	10.3	15.2

CLASS 1500LB

REDUCED BORE									FULL BORE						
SIZE	1/4"	3/8"	1/2"	3/4"	1"	1.1/4"	1.1/2"	2"	SIZE	1/2"	3/4"	1"	1.1/4"	1.1/2"	2"
A	79	92	92	111	120	120	140	160	A	111	120	120	140	160	210
B(OPEN)	175	178	181	181	218	237	274	319	B(OPEN)	181	218	237	274	319	345
C	100	100	125	125	160	160	180	200	C	125	160	160	180	200	200
F	8	13	13	13	18	24	29	36.8	F	13	18	24	29	36.8	48
G	34	40	42	49	58	64	78	88	G	49	58	64	78	88	88
WEIGHT(kg)	3.0	3.2	3.5	4.0	6.0	7.0	10.8	15.5	WEIGHT(kg)	4.3	6.3	7.3	11.2	15.9	16.5

GATE VALVES

WELDED BONNET - Full and reduced bore

Design construction:

API 602-BS 5352- NF M87.4 12
Testing according to API 598-BS 6755
Marking MSS SP25

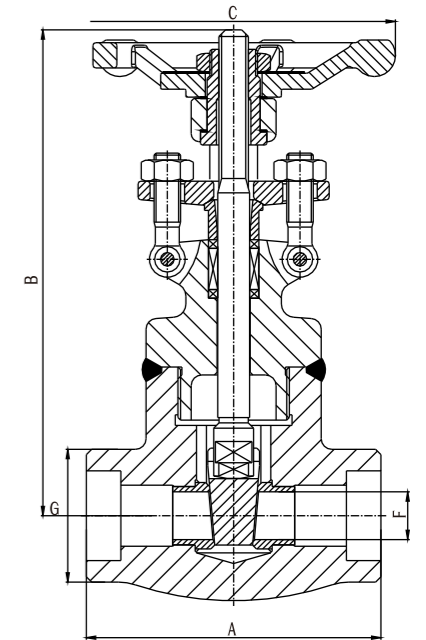
Outside Screw and Yoke (OS&Y)
Self aligning packing gland in two parts
Integral backseat
Body Bonnet weld to ASME IX

Socket weld Ends to ANSI B16.11
Screwed Ends (NPT) to ANSI B1.20.1
Butt Welding Ends to ANSI B.16.25

Ratings:

- carbon steel class 800 1975 psig @ 100°F
138 bar + 38°C
-carbon steel class 1500 3705 psig @ 100°F
255 bar + 38°C

For materials and testing pressure see technical data



CLASS 800LB

REDUCED BORE									FULL BORE						
SIZE	1/4"	3/8"	1/2"	3/4"	1"	1.1/4"	1.1/2"	2"	SIZE	1/2"	3/4"	1"	1.1/4"	1.1/2"	2"
A	79	79	79	92	111	120	120	140	A	92	111	120	120	140	160
B(OPEN)	157	157	161	161	190	220	240	279	B(OPEN)	161	190	220	240	279	319
C	100	100	100	100	120	160	160	180	C	100	120	160	160	180	200
F	8	10	13	13	18	24	29	36.8	F	13	18	24	29	36.8	36.8
G	34	34	34	40	49	58	64	78	G	40	49	58	64	78	88
WEIGHT(kg)	1.7	1.7	1.8	2.0	3.4	5.3	6.0	9.5	WEIGHT(kg)	3.2	3.7	5.7	6.6	10.2	15.1

CLASS 1500LB

REDUCED BORE									FULL BORE						
SIZE	1/4"	3/8"	1/2"	3/4"	1"	1.1/4"	1.1/2"	2"	SIZE	1/2"	3/4"	1"	1.1/4"	1.1/2"	2"
A	79	92	92	111	120	120	140	160	A	111	120	120	140	160	210
B(OPEN)	175	175	181	181	218	237	274	319	B(OPEN)	181	218	237	274	319	345
C	100	100	125	125	160	160	180	200	C	125	160	160	180	200	200
F	8	13	13	13	18	24	29	36.8	F	13	18	24	29	36.8	48
G	34	40	42	49	58	64	78	88	G	49	58	64	78	88	88
WEIGHT(kg)	2.8	3.0	3.3	3.7	5.7	6.7	10.5	15.2	WEIGHT(kg)	4.2	6.2	7.2	11.1	15.8	16.4

CLASS 800-1500

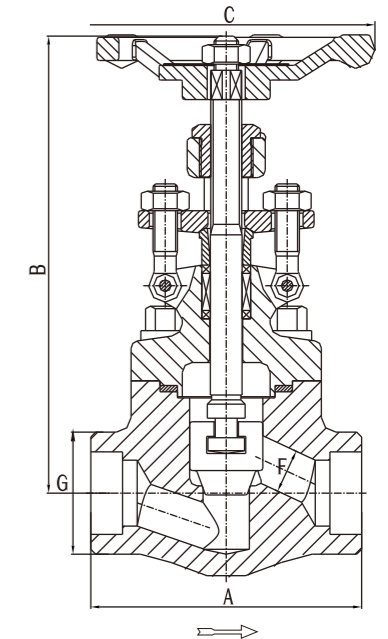
Design construction:
BS 5352- NF M87.4 12
Testing according to API 598- BS 6755
Marking MSS SP25

Outside Screw and Yoke (OS&Y)
Self aligning packing gland in two parts
Spiral-wound gasket retained type
Integral backseat
Loose solid disc

Socket weld Ends to ANSI B16.11
Screwed Ends (NPT) to ANSI B1.20.1
Butt Welding Ends to ANSI B.16.2

Ratings:
- carbon steel class 800 1975 psig @ 100°F
138 bar+ 38°C
- carbon steel class 1500 3705 psig @ 100°F
255 bar + 38°C

For materials and testing pressure see technical data



GLOBE VALVES CLASS 800-1500 BOLTTED BONNET - Full and reduced bore

CLASS 800LB

REDUCED BORE									FULL BORE						
SIZE	1/4"	3/8"	1/2"	3/4"	1"	1.1/4"	1.1/2"	2"	SIZE	1/2"	3/4"	1"	1.1/4"	1.1/2"	2"
A	79	79	79	92	92	120	152	172	A	92	111	120	152	172	200
B(OPEN)	154	154	158	158	158	227	240	279	B(OPEN)	158	192	227	240	279	329
C	100	100	100	100	100	160	160	180	C	100	120	160	160	180	200
F	6.5	10	10	13	13	23	28.5	35	F	13	17.5	23	28.5	35	35
G	34	34	34	40	40	58	64	78	G	40	49	58	64	78	82
WEIGHT(kg)	2.1	2.1	2.0	2.2	2.2	5.5	7.0	11.5	WEIGHT(kg)	2.2	3.8	5.5	7.0	11.5	12.0

CLASS 1500LB

REDUCED BORE									FULL BORE						
SIZE	1/4"	3/8"	1/2"	3/4"	1"	1.1/4"	1.1/2"	2"	SIZE	1/2"	3/4"	1"	1.1/4"	1.1/2"	2"
A	79	92	92	111	120	152	172	220	A	111	120	152	172	220	220
B(OPEN)	175	178	187	187	227	242	278	325	B(OPEN)	187	227	242	278	325	355
C	100	125	125	125	160	160	180	200	C	125	160	160	180	200	200
F	6.5	10	10	13	17.5	23	28.5	35	F	13	17.5	23	28.5	35	35
G	34	42	42	49	58	64	78	88	G	49	58	64	78	88	88
WEIGHT(kg)	3.0	3.5	3.5	4.0	6.3	8.0	12.5	19.5	WEIGHT(kg)	4.0	6.3	8.0	12.5	19.5	20.0

GLOBE VALVES

CLASS 800-1500

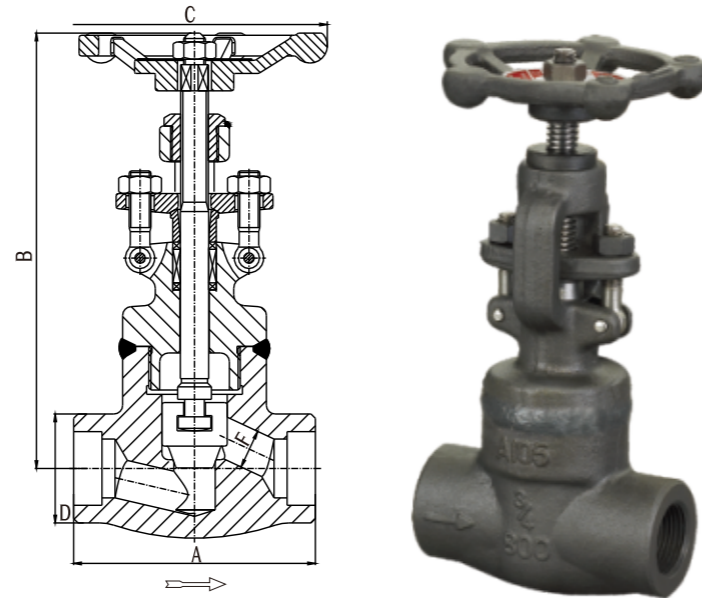
WELDED BONNET - Full and reduced bore

Design construction:
BS 5352- NF M87.4 12
Testing according to API 598- BS 6755
Marking MSS SP25

Outside Screw and Yoke (OS&Y)
Self aligning packing gland in two parts
Integral backseat
Body bonnet weld to ASME IX
Loose solid disc

Socket weld Ends to ANSI B16.11
Screwed Ends (NPT) to ANSI B1.20.1
Butt Welding Ends to ANSI B.16.25

Ratings:
- carbon steel class 800 1975 psig @ 100°F
138 bar + 38°C
- carbon steel class 1500 3705 psig @ 100°F
255 bar + 38°C



For materials and testing pressure see technical data

CLASS 800LB

REDUCED BORE									FULL BORE						
SIZE	1/4"	3/8"	1/2"	3/4"	1"	1.1/4"	1.1/2"	2"	SIZE	1/2"	3/4"	1"	1.1/4"	1.1/2"	2"
A	79	79	79	92	111	120	152	172	A	92	111	120	152	172	200
B(OPEN)	154	154	158	158	192	227	240	279	B(OPEN)	158	192	227	240	279	329
C	100	100	100	100	120	160	160	180	C	100	120	160	160	180	200
F	6.5	10	10	13	17.5	23	28.5	35	F	13	17.5	23	28.5	35	35
G	34	34	34	40	49	58	64	78	G	40	49	58	64	78	82
WEIGHT(kg)	2.0	2.0	1.9	2.1	3.7	5.4	6.9	11.4	WEIGHT(kg)	2.1	3.7	5.4	6.9	11.4	11.9

CLASS 1500LB

REDUCED BORE									FULL BORE						
SIZE	1/4"	3/8"	1/2"	3/4"	1"	1.1/4"	1.1/2"	2"	SIZE	1/2"	3/4"	1"	1.1/4"	1.1/2"	2"
A	79	92	111	111	120	152	172	220	A	111	120	152	172	220	220
B(OPEN)	158	158	187	187	227	242	278	325	B(OPEN)	187	227	242	278	325	355
C	100	100	125	125	160	160	180	200	C	125	160	160	180	200	200
F	10	13	10	13	17.5	23	28.5	35	F	13	17.5	23	28.5	35	35
G	34	40	42	49	58	64	78	88	G	49	58	64	78	88	88
WEIGHT(kg)	2.8	3.0	3.3	3.8	6.1	7.8	12.3	19.3	WEIGHT(kg)	3.9	6.2	7.9	12.4	19.4	19.9

GLOBE VALVES

CLASS 800

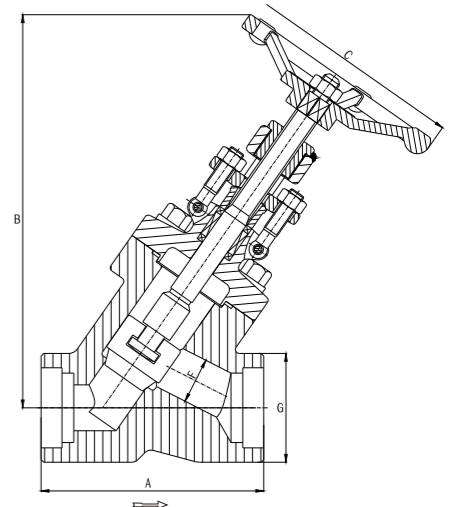
BOLTED BONNET - Reduced Bore(Y type)

Design construction:
BS 5352- ANSI B16.34
Testing according to API 598- BS 6755
Marking MSS SP25

Outside Screw and Yoke (OS&Y)
Self aligning packing gland in two parts
Integral backseat
Body bonnet weld to ASME IX
Loose solid disc

Ratings:
- carbon steel class 800 1975 psig @ 100°F
138 bar + 38°C

Socket weld Ends to ANSI B16.11
Screwed Ends (NPT) to ANSI B1.20.1
Butt Welding Ends to ANSI B.16.25
For materials and testing pressure see technical data



CLASS 800LB

REDUCED BORE						
SIZE	1/2"	3/4"	1"	1.1/4"	1.1/2"	2"
A	98	98	120	140	140	170
B(OPEN)	240	240	290	302	368	368
C	100	100	120	160	160	180
F	10	13	17.5	23	28.5	35
G	34	40	49	58	64	78
WEIGHT(kg)	5.0	4.6	7.6	9.8	13.7	14.0

GLOBE VALVES

CLASS 800

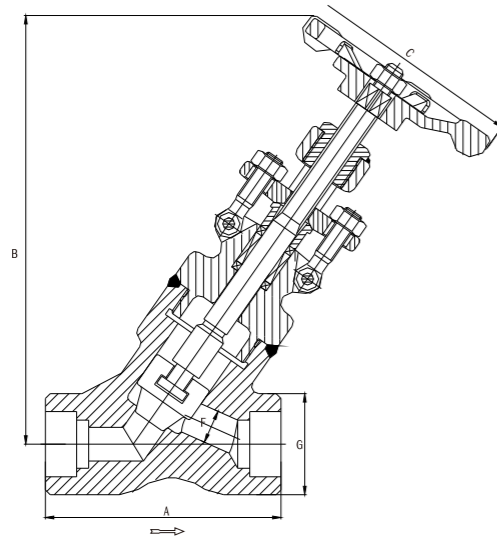
WELDED BONNET - Reduced Bore(Y type)

Design construction:
BS 5352- ANSI B16.34
Testing according to API 598- BS 6755
Marking MSS SP25

Outside Screw and Yoke (OS&Y)
Self aligning packing gland in two parts
Integral backseat
Body bonnet weld to ASME IX
Loose solid disc

Ratings:
- carbon steel class 800 1975 psig @ 100°F
138 bar + 38°C

Socket weld Ends to ANSI B16.11
Screwed Ends (NPT) to ANSI B1.20.1
Butt Welding Ends to ANSI B.16.25 ata
For materials and testing pressure see technical d



CLASS 800LB

REDUCED BORE

SIZE	1/2"	3/4"	1"	1.1/4"	1.1/2"	2"
A	98	98	120	140	140	170
B(OPEN)	170	170	195	225	235	278
C	100	100	120	160	160	180
F	10	13	17.5	23	28.5	35
G	34	40	49	58	64	78
WEIGHT(kg)	4	3.6	6.6	8.5	11.3	12.5

CHECK VALVES

CLASS 800-1500

BOLTED BONNET - Full and reduced bore

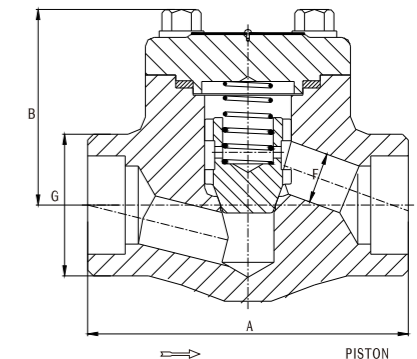
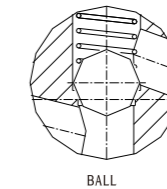
Design construction:
BS 5352- NF M87.412
Testing according to API 598- BS 6755
Marking MSS SP25

Spring only on request
Spiral-wound gasket retained type

Ratings:
- carbon steel class 800 1975 psig @ 100°F
138 bar + 38°C
- carbon steel class 1500 3705 psig @ 100°F
255 bar + 38°C

Socket wegd Ends to ANSI B16.11
Screwed Ends (NPT) to ANSI B1.20.1
Butt Welding Ends to ANSI B.16.25

For materials and testing pressure see technical data



CLASS 800LB

REDUCED BORE

SIZE	1/4"	3/8"	1/2"	3/4"	1"	1.1/4"	1.1/2"	2"
A	79	79	79	92	111	120	152	172
B	54.5	54.5	54.5	54.5	72	81	94	112
F	6.5	10	10	13	17.5	23	28.5	35
G	34	34	34	40	49	58	64	78
WEIGHT(kg)	1.5	1.5	1.4	1.9	2.6	4.2	5.3	9.0

FULL BORE

SIZE	1/2"	3/4"	1"	1.1/4"	1.1/2"	2"
A	92	111	120	152	172	200
B	54.5	72	81	94	112	132
F	13	17.5	23	28.5	35	35
G	40	49	58	64	78	88
WEIGHT(kg)	1.9	2.6	4.2	5.3	9.0	15.6

CLASS 1500LB

REDUCED BORE

SIZE	1/4"	3/8"	1/2"	3/4"	1"	1.1/4"	1.1/2"	2"
A	79	79	92	111	120	152	172	220
B	73	73	73	73	84	97	115	132
F	6.5	10	10	13	17.5	23	28.5	35
G	34	34	42	49	58	64	78	88
WEIGHT(kg)	2.2	2.2	2.4	2.9	4.6	6.5	10.5	15.5

FULL BORE

SIZE	1/2"	3/4"	1"	1.1/4"	1.1/2"	2"
A	111	120	152	172	220	200
B	73	84	97	115	132	132
F	13	17.5	23	28.5	35	35
G	49	58	64	78	88	88
WEIGHT(kg)	2.9	4.6	6.5	10.5	15.6	17.0

SWING CHECK VALVES

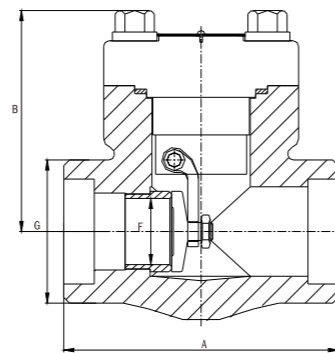
Design construction:
BS 5352- NF M87.4 12
Testing according to API 598- BS 6755
Marking MSS SP25

Spring only on request
Spiral-wound gasket retained type

Ratings:
- carbon steel class 800 1975 psig @ 100°F
138 bar + 38°C
- carbon steel class 1500 3705 psig @ 100°F
255 bar + 38°C

Socket weld Ends to ANSI B16.11
Screwed Ends (NPT) to ANSI B1.20.1
Butt Welding Ends to ANSI B.16.25

For materials and testing pressure see technical data



CLASS 800LB

REDUCED BORE								FULL BORE							
SIZE	1/4"	3/8"	1/2"	3/4"	1"	1.1/4"	1.1/2"	2"	SIZE	1/2"	3/4"	1"	1.1/4"	1.1/2"	2"
A	79	79	79	92	111	120	120	140	A	92	111	120	120	140	160
B	54.5	54.5	54.5	54.5	72	81	94	112	B	54.5	72	81	94	112	132
F	8	10	13	13	18	24	29	36.8	F	13	18	24	29	36.8	48
G	34	34	34	40	49	58	64	78	G	40	49	58	64	78	78
WEIGHT(kg)	1.3	1.3	1.2	1.7	2.4	4.0	5.1	8.8	WEIGHT(kg)	1.7	2.3	3.9	5.0	8.7	15.3

CLASS 1500LB

REDUCED BORE								FULL BORE							
SIZE	1/4"	3/8"	1/2"	3/4"	1"	1.1/4"	1.1/2"	2"	SIZE	1/2"	3/4"	1"	1.1/4"	1.1/2"	2"
A	79	79	92	111	120	120	140	160	A	111	120	120	140	160	160
B	73	73	73	73	84	97	115	132	B	73	84	97	115	132	132
F	6.5	10	13	13	18	24	29	36.8	F	13	18	24	29	36.8	48
G	34	34	34	40	49	58	64	78	G	40	49	58	64	78	88
WEIGHT(kg)	2.2	2.0	2.2	2.7	4.4	6.3	10.3	15.3	WEIGHT(kg)	2.7	4.3	6.2	10.2	15.3	16.7

CHECK VALVES

CLASS 800-1500

WELDED BONNET - Full and reduced bore

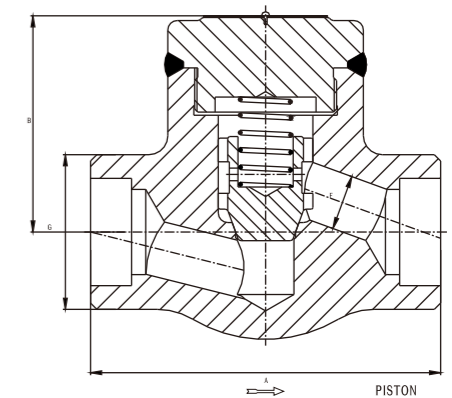
Design construction:
BS 5352-ANSI B16.34-NF M87.4 12
Testing according to API 598- BS 6755
Marking MSS SP25

Socket weld Ends to ANSI B 16.11
Screwed Ends (NPT) to ANSI B1.20.1
Butt Welding Ends to ANSI B.16.25

Spring only on request
Body bonnet weld to ASME IX

Ratings:
- carbon steel class 800 1975 psig @ 100°F
138 bar + 38°C
- carbon steel class 1500 3705 psig @ 100°F
255 bar + 38°C

For materials and testing pressure see technical data



CLASS 800LB

REDUCED BORE								FULL BORE							
SIZE	1/4"	3/8"	1/2"	3/4"	1"	1.1/4"	1.1/2"	2"	SIZE	1/2"	3/4"	1"	1.1/4"	1.1/2"	2"
A	79	79	79	92	111	120	152	172	A	92	111	120	152	172	200
B	54.5	54.5	54.5	54.5	72	81	94	112	B	54.5	72	81	94	112	132
F	6.5	10	10	13	17.5	23	28.5	35	F	13	17.5	23	28.5	35	48
G	34	34	34	40	49	58	64	78	G	40	49	58	64	78	82
WEIGHT(kg)	1.4	1.4	1.3	1.8	2.6	4.2	5.3	9.0	WEIGHT(kg)	1.9	2.6	4.2	5.3	9.0	15.6

CLASS 1500LB

REDUCED BORE								FULL BORE							
SIZE	1/4"	3/8"	1/2"	3/4"	1"	1.1/4"	1.1/2"	2"	SIZE	1/2"	3/4"	1"	1.1/4"	1.1/2"	2"
A	79	79	92	111	120	152	172	220	A	111	120	152	172	220	210
B	73	73	73	73	84	97	115	132	B	73	84	97	115	132	132
F	6.5	10	10	13	17.5	23	28.5	35	F	13	17.5	23	28.5	35	35
G	34	34	42	49	58	64	78	88	G	49	58	64	78	88	88
WEIGHT(kg)	2.2	2.2	2.4	2.9	4.6	6.5	10.5	15.5	WEIGHT(kg)	2.9	4.6	6.5	10.5	15.6	17.0

CHECK VALVES

CLASS 800

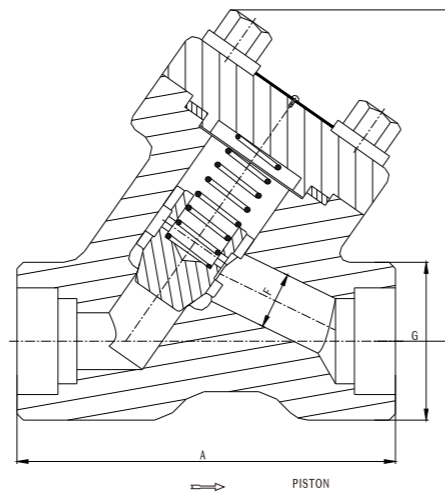
BOLTED BONNET - Reduced Bore (Y type)

Design construction:
ANSI B16.34- BS 5352- NF M87.412
Testing according to API 598- BS 6755
Marking MSS SP25

Body bonnet weld to ASME IX
Spring only request
Socket weld Ends to ANSI B16.11
Screwed Ends (NPT) to ANSI B1.20.1
Butt Welding Ends to ANSI B.16.25

Ratings:
- carbon steel class 800 1975 psig @ 100°F
138 bar + 38°C

For materials and testing pressure see technical data



CLASS 800LB

REDUCED BORE						
SIZE	1/2"	3/4"	1"	1.1/4"	1.1/2"	2"
A	98	98	120	130	140	170
B	84	84	102	114	114	145
F	10	13	17.5	23	28.5	35
G	34	40	49	58	64	78
WEIGHT(kg)	3.2	4.0	6.8	8.8	9.9	11.1

CHECK VALVES

CLASS 800

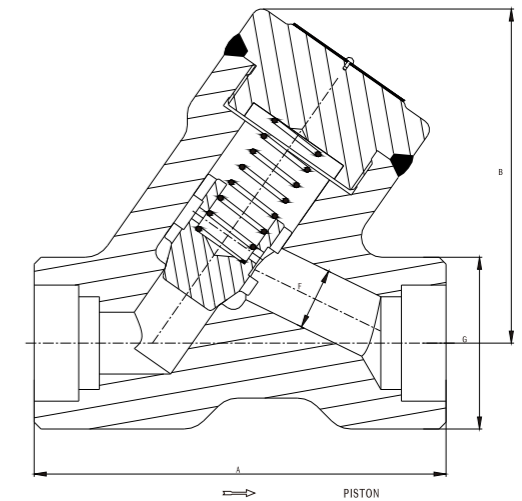
WELDED BONNET - Reduced Bore (Y type)

Design construction:
ANSI B16.34- BS 5352- NF M87.412
Testing according to API 598- BS 6755
Marking MSS SP25

Body bonnet weld to ASME IX
Spring only request
Socket weld Ends to ANSI B16.11
Screwed Ends (NPT) to ANSI B1.20.1
Butt Welding Ends to ANSI B.16.25

Ratings:
- carbon steel class 800 1975 psig @ 100°F
138 bar + 38°C

For materials and testing pressure see technical data



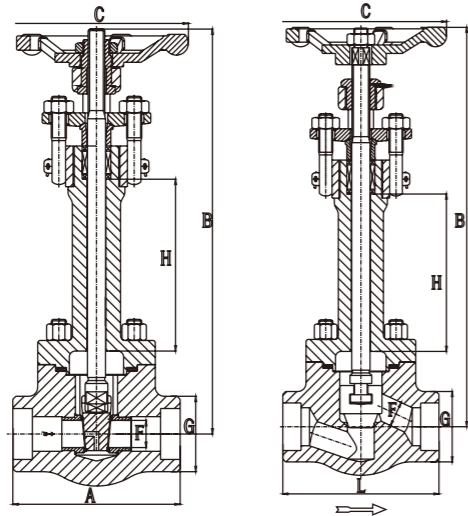
CLASS 800LB

REDUCED BORE						
DN	1/2"	3/4"	1"	1.1/4"	1.1/2"	2"
A	98	98	120	130	140	170
B	84	84	102	114	114	145
F	10	13	17.5	23	28.5	35
G	34	40	49	58	64	78
WEIGHT(kg)	2.9	3.7	6.5	8.5	9.6	10.8

CRYOGENIC VALVES

CLASS 800

FOR COLD SERVICE(-196°C)-GATE-and GLOBE Tpe -BOLTED/WELDED BONNET - reduced bore



Applicable standards and specifications: BS 5352-BS 6364

GATE VALVE

CLASS 800LB

REDUCED BORE

196°							101°							46°						
SIZE	1/2"	3/4"	1"	1.1/4"	1.1/2"	2"	SIZE	1/2"	3/4"	1"	1.1/4"	1.1/2"	2"	SIZE	1/2"	3/4"	1"	1.1/4"	1.1/2"	2"
A	79	92	111	120	120	140	A	79	92	111	120	120	140	A	79	92	111	120	120	140
B(OPEN)	300	300	335	400	415	445	B(OPEN)	280	280	305	370	385	405	B(OPEN)	270	270	285	350	365	385
C	100	100	120	160	160	180	C	100	100	120	160	160	180	C	100	100	120	160	160	180
F	13	13	18	24	29	36.8	F	13	13	18	24	29	36.8	F	13	13	18	24	29	36.8
G	34	40	49	58	64	78	G	34	40	49	58	64	78	G	34	40	49	58	64	78
H	140	140	160	170	170	180	H	120	120	130	140	140	140	H	110	110	110	120	120	120
WEIGHT(kg)	7.1	9.4	13.5	15.0	17.8	28.0	WEIGHT(kg)	6.8	9.1	13.2	14.7	17.5	27.7	WEIGHT(kg)	6.5	8.8	12.9	14.4	17.2	27.4

GLOBE VALVE

CLASS 800LB

REDUCED BORE

196°							101°							46°						
SIZE	1/2"	3/4"	1"	1.1/4"	1.1/2"	2"	SIZE	1/2"	3/4"	1"	1.1/4"	1.1/2"	2"	SIZE	1/2"	3/4"	1"	1.1/4"	1.1/2"	2"
A	79	92	111	120	152	172	A	79	92	111	120	152	172	A	79	92	111	120	152	172
B(OPEN)	310	310	345	405	420	445	B(OPEN)	290	290	315	375	390	405	B(OPEN)	280	280	295	355	370	385
C	100	100	120	160	160	180	C	100	100	120	160	160	180	C	100	100	120	160	160	180
F	10	13	17.5	23	28.5	35	F	10	13	17.5	23	28.5	35	F	10	13	17.5	23	28.5	35
G	34	40	49	58	64	78	G	34	40	49	58	64	78	G	34	40	49	58	64	78
H	140	140	160	170	170	180	H	120	120	120	140	140	140	H	110	110	110	120	120	120
WEIGHT(kg)	7.2	7.2	13.5	17.0	19.8	29	WEIGHT(kg)	7.0	9.3	9.3	16.8	19.6	28.8	WEIGHT(kg)	6.8	9.1	13.1	16.6	19.4	28.6

INTEGRAL FLANGED VALVES

CLASS 150-300-600 BOLTED BONNET - Reduced bore

Applicable standards and specifications: API 602-BS 5352
Face to face according to ANSI B 16.10
Flanges according to ANSI B 16.5

Outside Screw and Yoke (OS&Y)
Self aligning packing gland in two parts
Spiral-wound gasket retained type
Integral backseat
Integral body flanges

GATE VALVE

CLASS 150LB

REDUCED BORE

SIZE	1/2"	3/4"	1"	1.1/4"	1.1/2"	2"
A	108	117	127	140	165	178
B(OPEN)	153	153	185	222	240	279
C	100	100	120	160	160	180
F	13	13	18	24	29	36.8
WEIGHT(kg)	3.0	3.5	5.5	6.8	10.4	14.4

CLASS 300LB

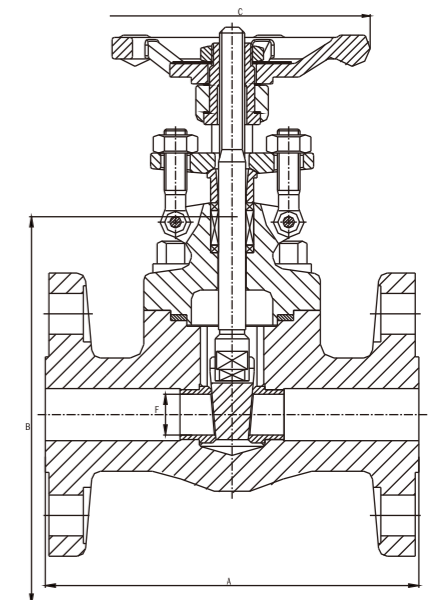
REDUCED BORE

SIZE	1/2"	3/4"	1"	1.1/4"	1.1/2"	2"
A	140	152	165	178	190	216
B(OPEN)	153	153	185	222	240	279
C	100	100	120	160	160	180
F	13	13	18	24	29	36.8
WEIGHT(kg)	3.6	4.9	7.0	9.4	13.3	18.0

CLASS 600LB

REDUCED BORE

SIZE	1/2"	3/4"	1"	1.1/4"	1.1/2"	2"
A	165	190	216	229	241	292
B(OPEN)	153	153	185	222	240	279
C	100	100	120	160	160	180
F	13	13	18	24	29	36.8
WEIGHT(kg)	4.2	5.8	8.8	12.1	15.6	19.5



INTEGRAL FLANGED VALVES

For GLOBE VALVES only
Loosed disc on stem
Disc must be needle or parabolic type on request
Needle valves may have an integral disc/stem on request

Ratings standard class:
-carbon steel class 150 285 psig @ 100°F
20 bar + 38°C
-carbon steel class 300 740 psig @ 100°F
51 bar + 38°C
- carbon steel class 600 1480 psig @ 100°F
102 bar + 38°C



GLOBE VALVE CLASS 150LB

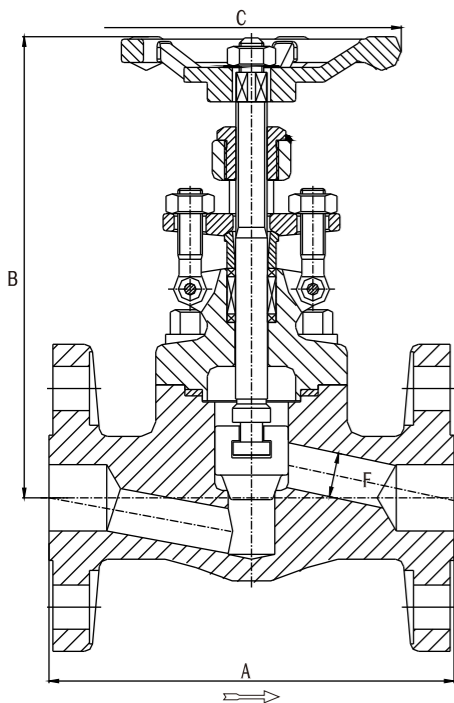
REDUCED BORE						
SIZE	1/2"	3/4"	1"	1.1/4"	1.1/2"	2"
A	108	117	127	140	165	203
B(OPEN)	153	158	192	227	240	279
C	100	100	120	160	160	180
F	10	13	17.5	23	28.5	35
WEIGHT(kg)	4.5	6.9	9.8	13.5	19.5	28.0

CLASS 300LB

REDUCED BORE						
SIZE	1/2"	3/4"	1"	1.1/4"	1.1/2"	2"
A	152	178	203	216	229	267
B(OPEN)	158	158	192	227	240	279
C	100	100	120	160	160	180
F	10	13	17.5	23	28.5	35
WEIGHT(kg)	4.8	7.7	11.0	16.8	21.2	32.6

CLASS 600LB

REDUCED BORE						
SIZE	1/2"	3/4"	1"	1.1/4"	1.1/2"	2"
A	165	190	216	229	241	292
B(OPEN)	158	158	192	227	240	279
C	100	100	120	160	160	180
F	10	13	17.5	23	28.5	35
WEIGHT(kg)	5.6	7.8	12.5	17.0	23.5	38.8



INTEGRAL FLANGED VALVES

For CHECK VALVES only
Spring only on repeat
Ball and piston type valves with full guided disc

CHECK VALVE CLASS 150LB

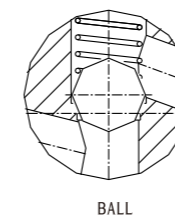
REDUCED BORE						
SIZE	1/2"	3/4"	1"	1.1/4"	1.1/2"	2"
A	108	117	127	140	165	203
B(OPEN)	54.5	54.5	72	81	91	112
F	10	13	17.5	23	28.5	35
WEIGHT(kg)	3.4	4.4	8.2	8.9	12.0	14.3

CLASS 300LB

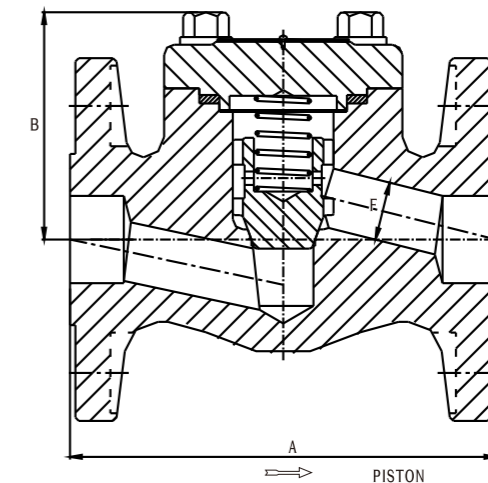
REDUCED BORE						
SIZE	1/2"	3/4"	1"	1.1/4"	1.1/2"	2"
A	152	178	216	229	241	267
B(OPEN)	54.5	54.5	72	81	94	112
F	10	13	17.5	23	28.5	35
WEIGHT(kg)	3.7	4.8	8.8	9.6	13.7	17.8

CLASS 600LB

REDUCED BORE						
SIZE	1/2"	3/4"	1"	1.1/4"	1.1/2"	2"
A	165	190	216	229	241	292
B(OPEN)	54.5	54.5	72	81	94	112
F	10	13	17.5	23	28.5	35
WEIGHT(kg)	4.0	5.8	9.5	10.4	15.6	24.5



BALL

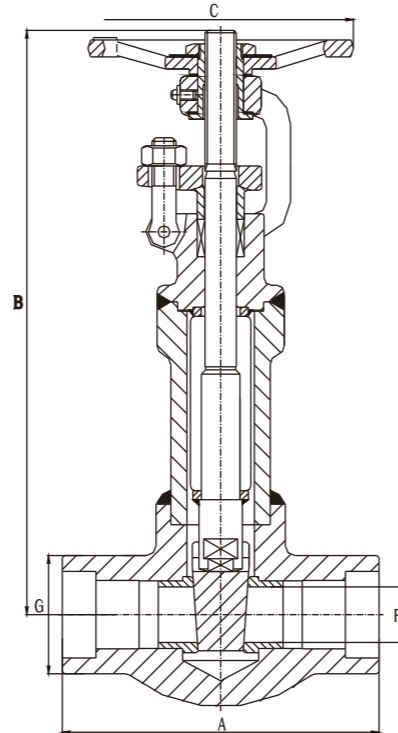
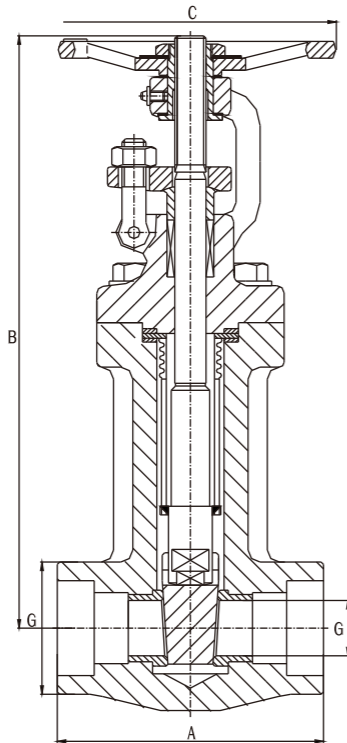


PISTON

BELLOWS SEALED VALVES

CLASS 800

GATE and GLOBE Type -BOLTED/WELDED BONNET - reduced bore



Applicable standards specifications:
BS 5352 ANSI B16.34

Outside Screw and YoKe(OS&Y)
Self aligning packing gland in two parts
Spiral wound gasket retained type
Integral Backseat
grease nipple for stem

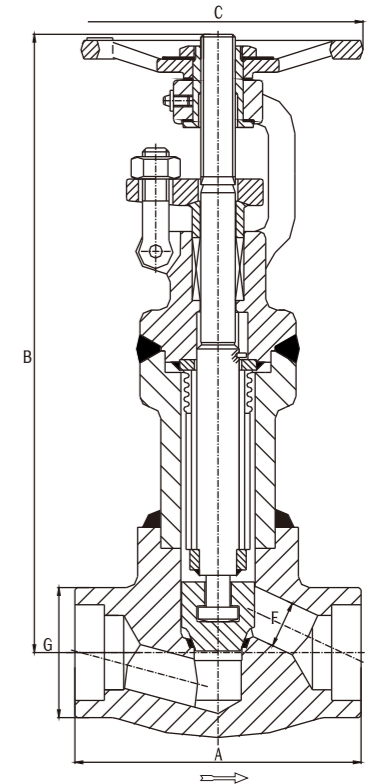
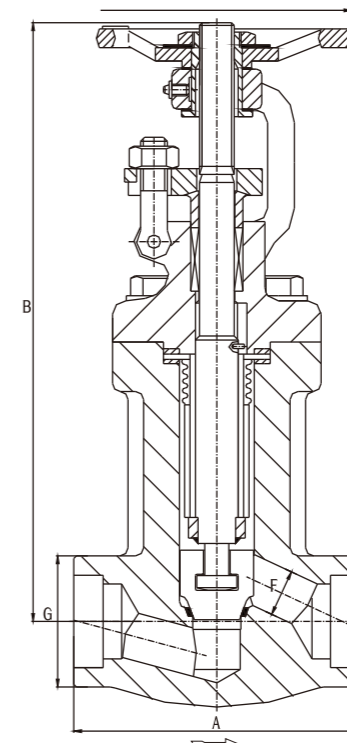


GATE VALVE

CLASS 800LB						
REDUCED BORE						
SIZE	1/2"	3/4"	1"	1.1/4"	1.1/2"	2"
A	79	92	111	120	120	140
B(OPEN)	263	258	308	350	406	472
C	100	100	120	160	160	180
F	13	13	18	24	29	36.8
G	34	40	49	58	64	78
WEIGHT(kg)	2.9	3.2	5.9	8.7	10.2	16.0

CLASS 800LB						
REDUCED BORE						
SIZE	1/2"	3/4"	1"	1.1/4"	1.1/2"	2"
A	79	92	111	120	120	140
B(OPEN)	263	277	332	370	433	514
C	100	100	120	160	160	180
F	13	13	18	24	29	36.8
G	34	40	49	58	64	78
WEIGHT(kg)	2.9	3.3	5.2	7.2	8.9	13.5

BELLOWS SEALED VALVES



Socket weld Ends to ANSI B16.11
Screwed Ends (NPT) to ANSI B1.20.1
Butt Welding Ends to ANSI B.16.25
Face to face according to CZTV standard

Ratings:
-carbon steel class 800 1975 psig @ 100°F
140 bar + 38°C



GLOBE VALVE

CLASS 800LB						
REDUCED BORE						
SIZE	1/2"	3/4"	1"	1.1/4"	1.1/2"	2"
A	79	92	111	120	152	172
B(OPEN)	209	209	232	300	300	321
C	100	100	120	160	160	180
F	10	13	17.5	23	28.5	35
G	34	40	49	58	64	78
WEIGHT(kg)	3.0	4.8	7.98	11.0	16.8	25.2

CLASS 800LB						
REDUCED BORE						
SIZE	1/2"	3/4"	1"	1.1/4"	1.1/2"	2"
A	79	92	111	120	152	172
B(OPEN)	220	220	244	321	321	347
C	100	100	120	160	160	180
F	10	13	17.5	23	28.5	35
G	34	40	49	58	64	78
WEIGHT(kg)	2.8	4.0	7.0	9.6	13.5	20.2

EXTENDED BODY VALVES

CLASS 800-1500

BOLTED BONNET/WELDED BONNET Reduced bore

Ratings:

- carbon steel class 800 1975psig@100°F
138 bar+38°C
- carbon steel class 1500 3705psig@100°F
255 bar+38°C

Socket weld Ends to ANSI B16.11
Screwed Ends (NPT) to ANSI B1.20.1
Butt Welding Ends to ANSI B.16.25
For materials and testing pressure see technical data

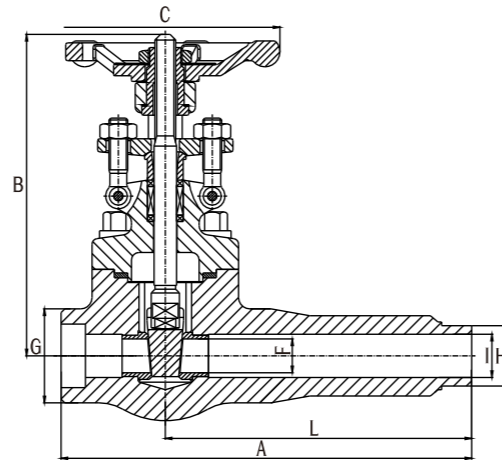


GATE VALVE

CLASS 800LB

REDUCED BORE

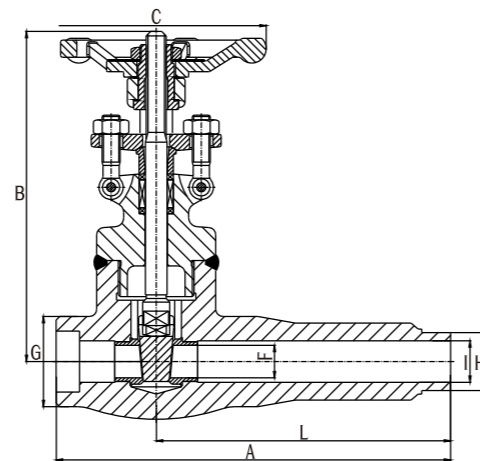
SIZE	1/2"	3/4"	1"	1.1/4"	1.1/2"	2"
A	141.5	146.5	166	187	190.5	216
B(OPEN)	153	153	185	220	240	279
C	100	100	120	160	160	180
F	10	13	18	24	29	36.8
G	34	40	49	58	64	78
H	21.3	26.7	33.4	48.2	48.3	60.3
I	15	18	23	29	34.5	43
L	102	100.5	110.5	127	130.5	146
WEIGHT(kg)	2.9	3.4	5.5	7.8	8.3	13.4



CLASS 1500LB

REDUCED BORE

SIZE	1/2"	3/4"	1"	1.1/4"	2"
A	146.5	166	187	190.5	216
B(OPEN)	153	185	220	240	279
C	100	120	160	160	180
F	13	18	24	29	36.8
G	40	49	58	64	78
H	21.3	26.7	48.2	33.4	48.3
I	15	18	29	23	34.5
L	100.5	110.5	127	130.5	146
WEIGHT(kg)	3.6	5.7	8.0	8.6	13.7



PRESSURE SEAL VALVES

CLASS 1500-2500

GATE AND GLOBE Reduced bore

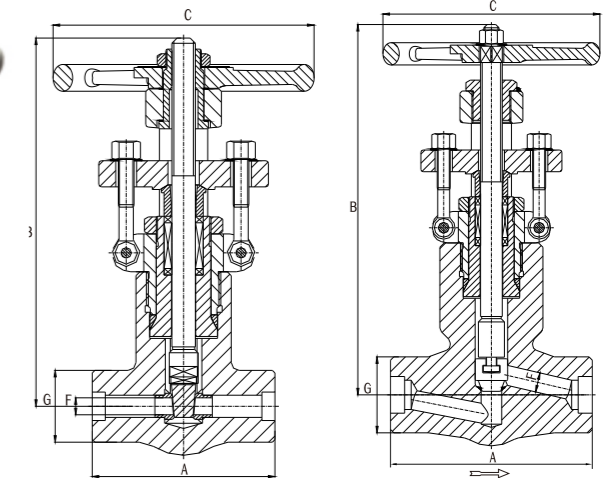
Design construction:
BS 5352-ANSI B16.34
Testing according to API 598-BS 6755
Marking MSS SP25

Outside Screw and Yoke(OS&Y)
Self aligning packing gland in two parts
Integral backseat
Body bonnet weld to ASME IX

- carbon steel class 1500 3705 psig @ 100°F
255 bar + 38°C
- carbon steel class 2500 6170 psig @ 100°F
425 bar + 38°C

Socket weld Ends to ANSI B16.11
Screwed Ends (NPT) to ANSI B1.20.1
Butt Welding Ends to ANSI B.16.25

For materials and testing pressure see technical data



GATE VALVE

CLASS 1500LB

REDUCED BORE

SIZE	1/2"	3/4"	1"	1.1/4"	1.1/2"	2"
A	140	140	140	178	178	216
B(OPEN)	321	321	321	380	414	502
C	200	200	200	300	300	300
F	13	13	18	24	29	36.8
G	55	55	55	85	85	100
WEIGHT(kg)	11.5	10.8	10.5	19.6	21.0	55.4

GLOBE VALVE

CLASS 1500LB

REDUCED BORE

SIZE	1/2"	3/4"	1"	1.1/4"	1.1/2"	2"
A	140	140	140	178	178	216
B(OPEN)	333	333	333	408	408	524
C	200	200	200	300	300	300
F	13	13	18	24	29	36.8
G	55	55	55	85	85	100
WEIGHT(kg)	11.2	10.5	10.1	21.0	19.6	40.4

GATE VALVE

CLASS 2500LB

REDUCED BORE

SIZE	1/2"	3/4"	1"	1.1/4"	1.1/2"	2"
A	186	186	186	232	232	279
B(OPEN)	321	321	321	380	414	502
C	200	200	200	300	300	300
F	13	13	18	24	29	36.8
G	55	55	55	85	85	100
WEIGHT(kg)	12.3	11.6	10.8	26.0	28.4	60.0

GLOBE VALVE

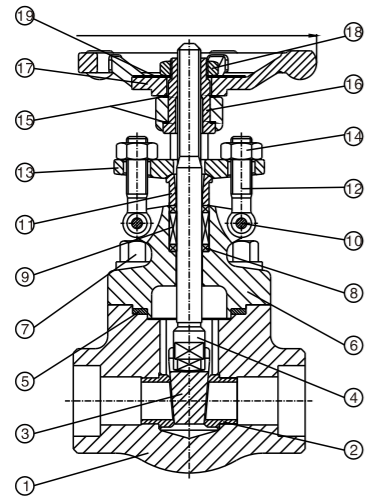
CLASS 2500LB

REDUCED BORE

SIZE	1/2"	3/4"	1"	1.1/4"	1.1/2"	2"
A	186	186	186	232	232	279
B(OPEN)	333	333	333	408	408	524
C	200	200	200	300	300	300
F	13	13	18	24	29	36.8
G	55	55	55	85	85	100
WEIGHT(kg)	12.3	11.6	10.8	28.0	26.4	43.8

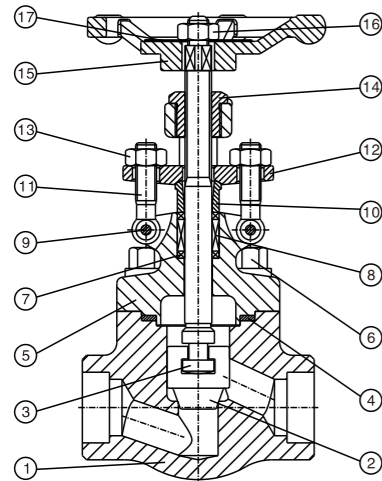
STANDARD MATERIALS SPECIFICATION (FORGED)

TYPICAL GATE



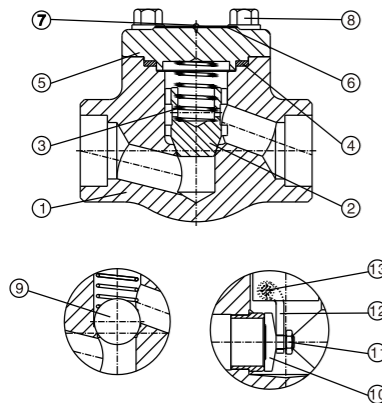
PART	NAME	MATERIALS
1	BODY	A105
2	SEAT	A276-410+STL
3	WEDGE	A276-420
4	STEM	A276-410
5	BONNET GASKET	304+FLEXIBLE GRAPHITE
6	BONNET	A105
7	BOLT	A193-B7
8	PACKING	FLEXIBLE GRAPHITE+S.S. WIRE
9	PACKING	FLEXIBLE GRAPHITE
10	PIN	A276-304
11	GLAND	A276-420
12	EYEBOLT	A193-B7
13	GLAND FLANGE	A105
14	EYEBOLT NUT	A194-2H
15	GASKET	A276-410
16	STEM NUT	A276-410
17	HANDWHEEL	A197
18	HANDWHEEL NUT	A194-2H
19	NAME PLATE	ALUMINIUM

TYPICAL GLOBE



PART	NAME	MATERIALS
1	BODY	A105+STL
2	DISC	A276-420
3	STEM	A276-410
4	BONNET GASKET	304+FLEXIBLE GRAPHITE
5	BONNET	A105
6	BOLT	A193-B7
7	PACKING	FLEXIBLE GRAPHITE+S.S. WIRE
8	PACKING	FLEXIBLE GRAPHITE
9	PIN	A276-304
10	GLAND	A276-420
11	EYEBOLT	A193-B7
12	GLAND FLANGE	A105
13	EYEBOLT NUT	A194-2H
14	STEM NUT	A276-410
15	HANDWHEEL	A197
16	HANDWHEEL NUT	A194-2H
17	NAME PLATE	ALUMINIUM

TYPICAL GLOBE

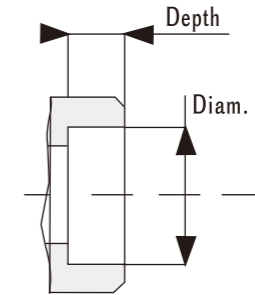


PART	NAME	MATERIALS
1	BODY	A105+STL
2	DISC	A276-420
3	SPRING	A276-304
4	BONNET GASKET	304+FLEXIBLE GRAPHITE
5	BONNET	A105
6	NAME PLATE	ALUMINIUM
7	RIVET	BRASS
8	BOLT	A193-B7
9	BALL	A276-304
10	DISC	A276-420
11	NUT	A194-8
12	HINGE	CF8
13	PIN	A276-304

Stellite# hardfacing on seat and disc on request. All carbon steel valves are phosphatized to prevent the atmospheric corrosion.

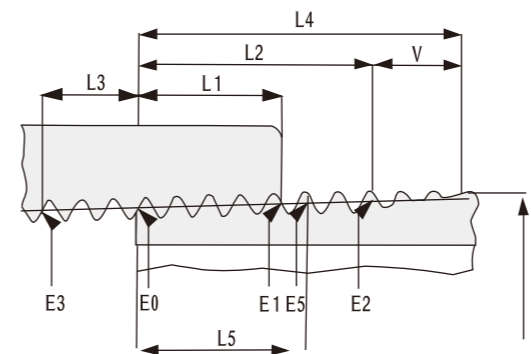
SW/NPT DIMENSIONS

SW(ASME B16.11)



Size		Min. Diam.	Max. Depth.	Min. Depth.	Our. Depth.
1/4"	mm	14.10	14.35	19.65	10
3/8"	mm	17.53	17.78	9.65	10
1/2"	mm	21.72	21.97	9.65	10
3/4"	mm	27.05	27.30	12.70	13
1"	mm	33.78	34.04	12.70	14
1.1/4"	mm	42.55	42.80	12.70	14
1.1/2"	mm	48.64	48.90	12.70	14
2"	mm	61.11	61.37	15.75	16

NPT(ASME B1.20.1)

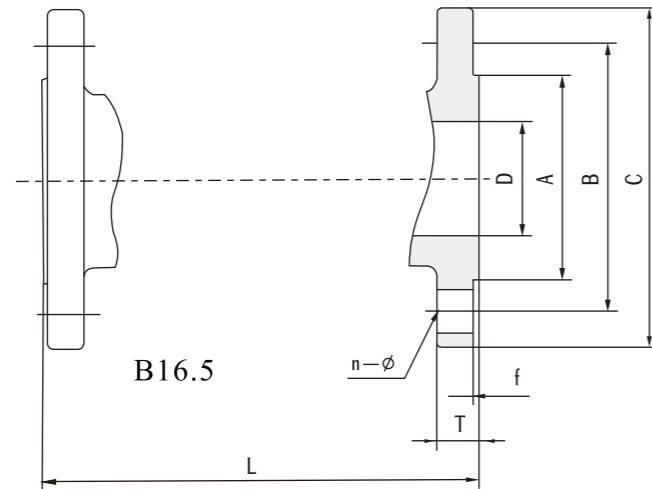


D O.D. of pipe
n Threads/in.
P Pitch of thread
E0 Pitch diam. at beginning of external thread
L1 Length of handtight engagement
E1 Diam. of handtight engagement
L2 Length of effective thread, external
E2 Diam. of effective thread, external
L3 Length of wrench makeup, internal
E3 Diam. of wrench makeup, internal
v Vanish thread
L4 Overall length external thread
L5 Length of nominal complete external threads
E5 Diam. of nominal complete external threads
h Height of thread

Size		D	n	P	E0	L1	E1	L2	E2	L3	E3	V	L4	L5	E5	h
1/4"	mm	13.72	0.71	1.41	12.13	5.79	12.49	10.21	12.76	4.23	11.86	4.90	15.10	7.38	12.59	1.13
3/8"	mm	17.15	0.71	1.41	15.55	6.10	15.93	10.36	16.19	4.23	15.28	4.90	15.26	7.54	16.02	1.13
1/2"	mm	21.34	0.55	1.81	19.26	8.13	19.77	13.56	20.11	5.44	18.92	6.29	19.85	9.93	19.88	1.45
3/4"	mm	26.67	0.55	1.81	24.58	8.61	25.12	13.86	25.45	5.44	24.24	6.29	20.15	10.23	25.22	1.45
1"	mm	33.40	0.45	2.21	30.83	10.16	31.46	17.34	31.91	6.63	30.41	7.66	25.01	12.93	31.63	1.77
1.1/4"	mm	42.16	0.45	2.21	39.55	10.67	40.22	17.95	40.67	6.63	39.14	7.66	25.63	13.54	40.40	1.77
1.1/2"	mm	48.26	0.45	2.21	45.62	10.67	46.29	18.38	46.77	6.63	45.21	7.66	26.04	13.96	46.49	1.77
2"	mm	60.33	0.45	2.21	57.63	11.07	58.33	19.22	58.83	6.63	57.22	7.66	26.88	14.80	58.56	1.77

SW/NPT DIMENSIONS

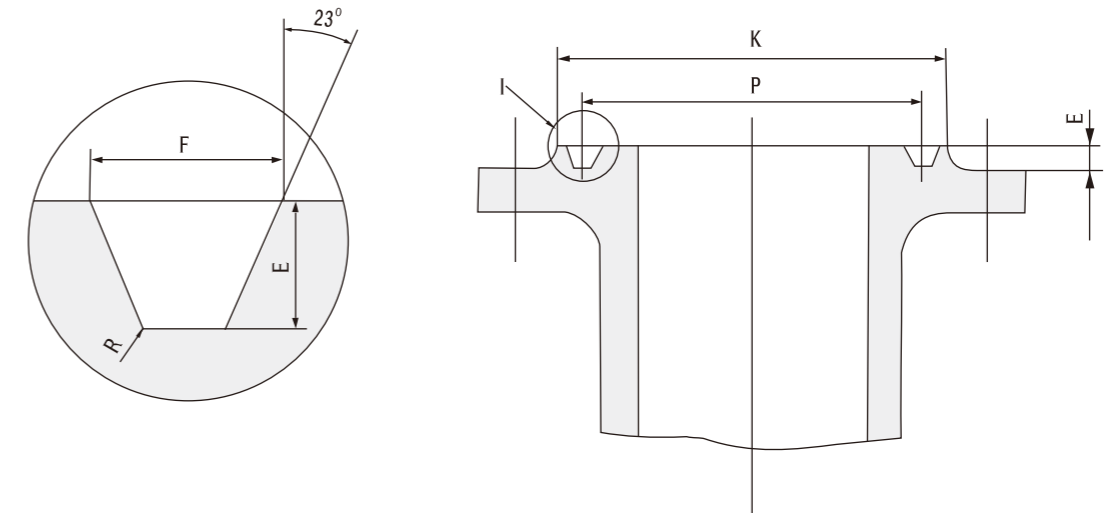
RF(ASME B16.10 SAME B16.5)



STANDARD			ANSI B16.10			ANSI									
CLASS	SIZE		GATE	L		A	B	C	D	T	f	Φ	n		
	mm	In		GLOBE LIFT CHECK	SWING CHECK										
150	15	1/2	108	108	108	35.0	60.5	89	13	11.5	1.6	16	4		
	20	3/4	117	117	117	43.0	70.0	99	19	13.0		16			
	25	1	127	127	127	51.0	79.5	108	25	14.5		16			
	32	1.1/4	140	140	140	64	89.0	117	32	16.0		16			
	40	1.1/2	165	165	165	73.0	98.5	127	38	17.5		16			
	50	2	178	203	203	92.0	120.5	152	51	19.5		20			
	65	2.1/2	190	216	216	105.0	139.5	178	64	22.514		20			
300	15	1/2	140	152	152	SAME AS 150LB	66.5	95	13	5	1.6	16	4		
	20	3/4	152	178	178		82.5	117	19	16.0		20			
	25	1	165	203	216		89.0	124	25	17.5		20			
	32	1.1/4	178	216	229		98.5	133	32	19.5		20			
	40	1.1/2	190	229	241		114.5	156	38	21.0		22			
	50	2	216	267	267		127.0	165	51	22.5		20			
	65	2.1/2	241	292	292		149.0	190	64	25.4		22			
600	15	1/2	165	SAME AS GATE	SAME AS 150LB	SAME AS 300LB	21.5	6.4	SAME AS 300LB	23.0	24.5	28.0	29.5	32.0	36.5
	20	3/4	190												
	25	1	216												
	32	1.1/4	229												
	40	1.1/2	241												
	50	2	292												
900 AND 1500	15	1/2	216	SAME AS GATE	SAME AS 150LB	82.5	120	13	29.5	22	6.4	22	4		
	20	3/4	229			89.0	130	17	32.5	22					
	25	1	254			101.5	150	22	36.0	26					
	32	1.1/4	279			111.0	160	28	36.0	26					
	40	1.1/2	305			124.0	180	35	39.0	29					
	50	2	368			165.0	215	47	45.5	26					
	65	2.1/2	419			190.5	244	57	49.0	29					

FLG DIMENSIONS

RJ(ASME B16.10 SAME B16.5)



in	600LB						900LB						1500LB						2500LB						
	L	K	P	F	E	RTJ	L	K	P	F	E	RTJ	L	K	P	F	E	RTJ	L	K	P	F	E	RTJ	
1/2	163.4	51	34.13	7.144	5.6	R11	SAME AS 1500LB	216	60.5	39.67	8.74	6.35	R12	264	65.0	42.88	8.74	6.35	R13						
3/4	190	64	42.86	8.74	6.4	R13		229	66.5	44.45	8.74	6.35	R14	373	73.0	50.80	8.74	6.35	R16						
1	216	70	50.80	8.74	6.4	R16		254	71.5	50.80	8.74	6.35	R16	308	82.5	60.32	8.74	6.35	R18						
1 1/4	229	79	60.33	8.74	6.4	R18		279	81.0	60.32	8.74	6.35	R18	352.2	102	72.24	11.91	7.92	R21						
1 1/2	241	90	68.26	8.74	6.4	R20		305	92.0	68.28	8.74	6.35	R20	387.2	114	82.55	11.91	7.92	R23						
2	295.2	108	82.55	11.91	8.0	R23		371.2	124.0	95.25	11.91	7.92	R24	454.2	133	101.60	11.91	7.92	R26						
2 1/2	333.2	127	101.6	11.91	8.0	R26		422.2	137.0	107.95	11.91	7.92	R27	514.4	149	111.12	13.49	9.52	R28						
3	359.2	146	123.83	11.91	8.0	R31		384.2	156	123.82	11.91	7.92	R31	R16	168.0	136.52	11.91	7.92	R35	R31	168	127.00	13.49	9.52	R32
4	435.2	175	149.23	11.91	8.0	R37		460.2	181	149.23	11.91	7.92	R37	R18	194.0	161.92	11.91	7.92	R39	R37	203	157.18	16.66	11.13	R38
5	511.2	210	180.98	11.91	8.0	R41		562.2	216	180.98	11.91	7.92	R41	R11	229.0	193.68	11.91	7.92	R44	R41	241	190.50	19.84	12.70	R42
6	562.2	241	211.14	11.91	8.0	R45	613.2	241	211.12	11.91	7.92	R45	R13	248.0	211.12	13.49	9.52	R46	R45	279	228.60	19.84	12.70	R47	
8	663.2	302	269.98	11.91	8.0	R49	740.2	308	269.98	11.91	7.92	R49	R16	318.0	269.88	16.66	11.13	R50	R49	340	279.40	23.01	14.27	R51	
10	790.2	356	323.85	11.91	8.0	R53	841.2	362	323.85	11.91	7.92	R53	R18	371.0	323.85	16.66	11.13	R54	R53	425	342.90	30.18	17.48	R55	
12	841.2	413	381.00	11.91	8.0	R57	968.2	419	381.00	11.91	7.92	R57	R11	438.0	381.00	23.01	14.27	R58	R57	495	406.40	33.32	17.48	R60	
14	892.2	457	419.10	11.91	8.0	R61	1038.5	467	419.10	16.66	11.13	R62	R13	489.0	419.10	26.97	15.88	R63	R61	-	-	-	-	-	
16	994.2	508	469.90	11.91	8.0	R65	1139.5	524	469.90	16.66	11.13	R66	R16	546.0	469.90	30.18	17.48	R67	R65	-	-	-	-	-	
18	1095.2	575	533.40	11.91	8.0	R69	1231.7	594	533.40	19.84	12.70	R70	R18	613.0	533.40	30.18	17.48	R71	R69	-	-	-	-	-	